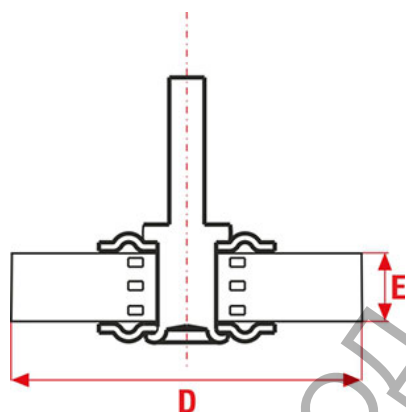


**Wheel Drill Brushes GG diameters 18-80 for Drill**



Wheel Brushes with shaft in highly resistant crimped steel wire and very high wire density. They ensure long service life and great performance in the various industrial processes.

**Applications:** Dust, rust and waste removal from surfaces of any material and shape.

D	ART	SHAFT	E	Ø mm	WIRE	MAX RPM	Box	REF
18	GG21	6x25	3	0,1	Steel	18000	12	3145
25	GG25	6x25	5	0,2	Steel	18000	12	3146
30	GG32	6x25	9	0,15	Steel	18000	12	848
40	GG42	6x25	9	0,3	Steel	18000	12	850
40	GG42	6x25	9	0,3	Stainless steel	18000	12	2502
40	GG43	6x25	12	0,3	Steel	18000	12	851
40	GG43	6x25	12	0,3	Stainless steel	18000	12	966
40	GG44	6x25	15	0,3	Steel	18000	12	853
40	GG44	6x25	15	0,3	Stainless steel	18000	12	967
50	GG52	6x25	9	0,3	Steel	15000	12	855
50	GG52	6x25	9	0,15	Steel	15000	12	856
50	GG52	6x25	9	0,3	Stainless steel	15000	12	2505

D	ART	SHAFT	E	Ø mm	WIRE	MAX RPM	Box	REF
50	GG53	6x25	12	0,3	Steel	15000	12	<b>857</b>
50	GG53	6x25	12	0,3	Stainless steel	15000	12	<b>968</b>
50	GG54	6x25	15	0,3	Steel	15000	12	<b>859</b>
50	GG54	6x25	15	0,3	Stainless steel	15000	12	<b>969</b>
50	GG55	6x25	18	0,3	Steel	15000	36	<b>858</b>
50	GG56	6x25	21	0,3	Steel	15000	36	<b>860</b>
60	GG62	6x25	9	0,3	Steel	15000	12	<b>861</b>
60	GG62	6x25	9	0,15	Steel	15000	12	<b>862</b>
60	GG62	6x25	9	0,3	Stainless steel	15000	12	<b>2508</b>
60	GG63	6x25	12	0,3	Steel	15000	12	<b>863</b>
60	GG63	6x25	12	0,3	Stainless steel	15000	12	<b>971</b>
60	GG64	6x25	15	0,3	Steel	15000	12	<b>865</b>
60	GG64	6x25	15	0,3	Stainless steel	15000	12	<b>972</b>
70	GG72	6x25	9	0,3	Steel	15000	12	<b>867</b>
70	GG72	6x25	9	0,15	Steel	15000	12	<b>868</b>
70	GG72	6x25	9	0,3	Stainless steel	15000	12	<b>2510</b>
70	GG73	6x25	12	0,3	Steel	15000	12	<b>869</b>
70	GG73	6x25	12	0,3	Stainless steel	15000	12	<b>973</b>
70	* GG73	6x25	12	0,3	Stainless steel	15000	12	<b>999</b>
70	GG74	6x25	15	0,3	Steel	15000	12	<b>871</b>
70	GG74	6x25	15	0,3	Stainless steel	15000	12	<b>974</b>
80	GG82	6x25	9	0,3	Steel	12000	12	<b>873</b>
80	GG82	6x25	9	0,3	Stainless steel	12000	12	<b>2513</b>
80	GG83	6x25	12	0,3	Steel	12000	12	<b>874</b>
80	GG83	6x25	12	0,3	Stainless steel	12000	12	<b>976</b>
80	GG83	6x25	12	0,3	Brass	12000	12	<b>876</b>
80	GG84	6x25	15	0,3	Steel	12000	12	<b>877</b>
80	GG84	6x25	15	0,3	Stainless steel	12000	12	<b>977</b>

Ташев-Галвинг ООД  
[www.tashev-galving.com](http://www.tashev-galving.com)